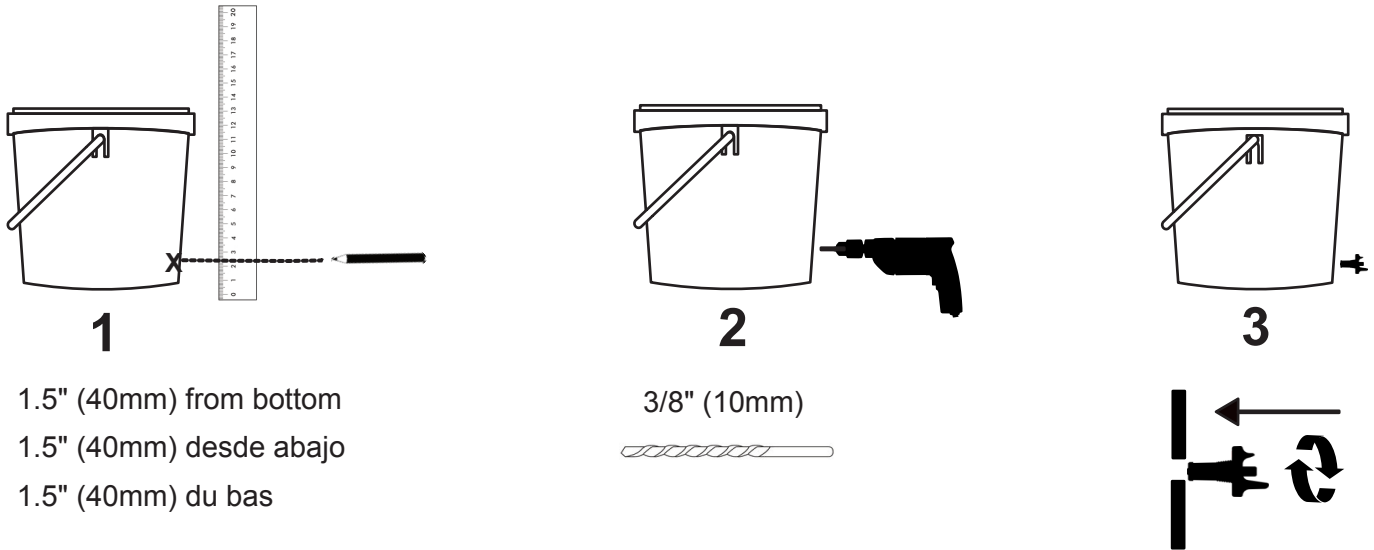


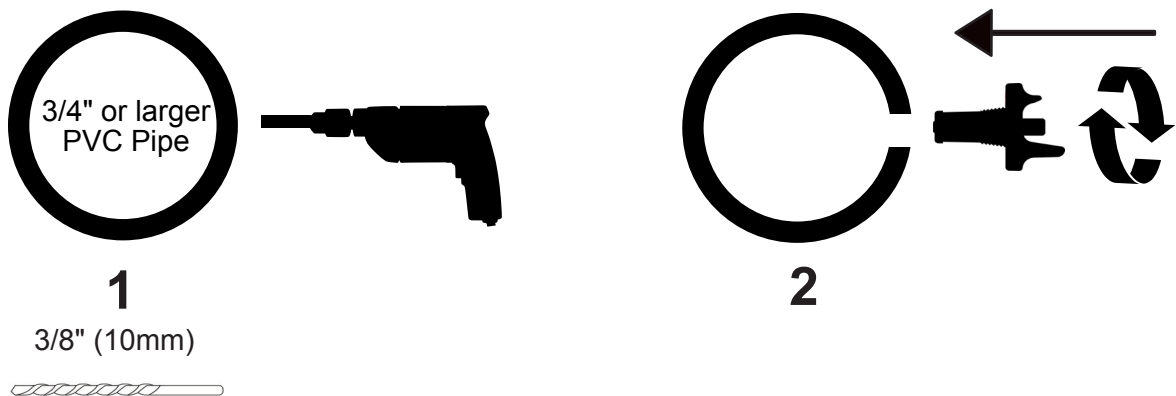
# FREEZ FREE<sup>®</sup> NIPPLE WATERER



1. Drill 3/8" (10mm) holes into plastic a plastic bucket or other container.
2. Screw Freez Free watering valves into the holes.



1. Drill a 3/8" (10mm) hole into PVC pipe with a diameter of 3/4" or larger.
2. Screw Freez Free watering valves into the holes.



PVC pipe is only recommended for warm climates where water does not freeze in winter. In cold climates, install Freez Free waterers into a plastic bucket or other plastic containers.